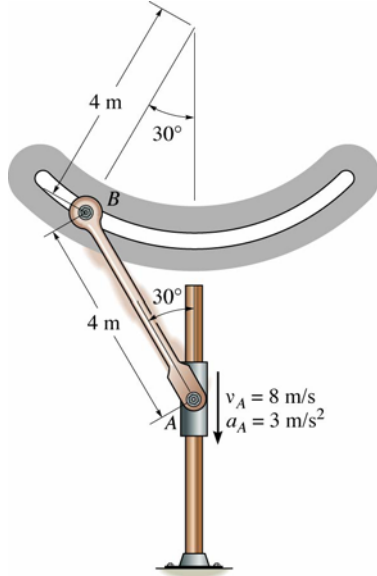


ID.....Name.....Section.....



The ends of the bar AB are confined to move along the path shown. At a given instant, A has a velocity of 8 m/s and an acceleration of 3 m/s<sup>2</sup>. Determine the angular velocity and angular acceleration of AB at this instant.